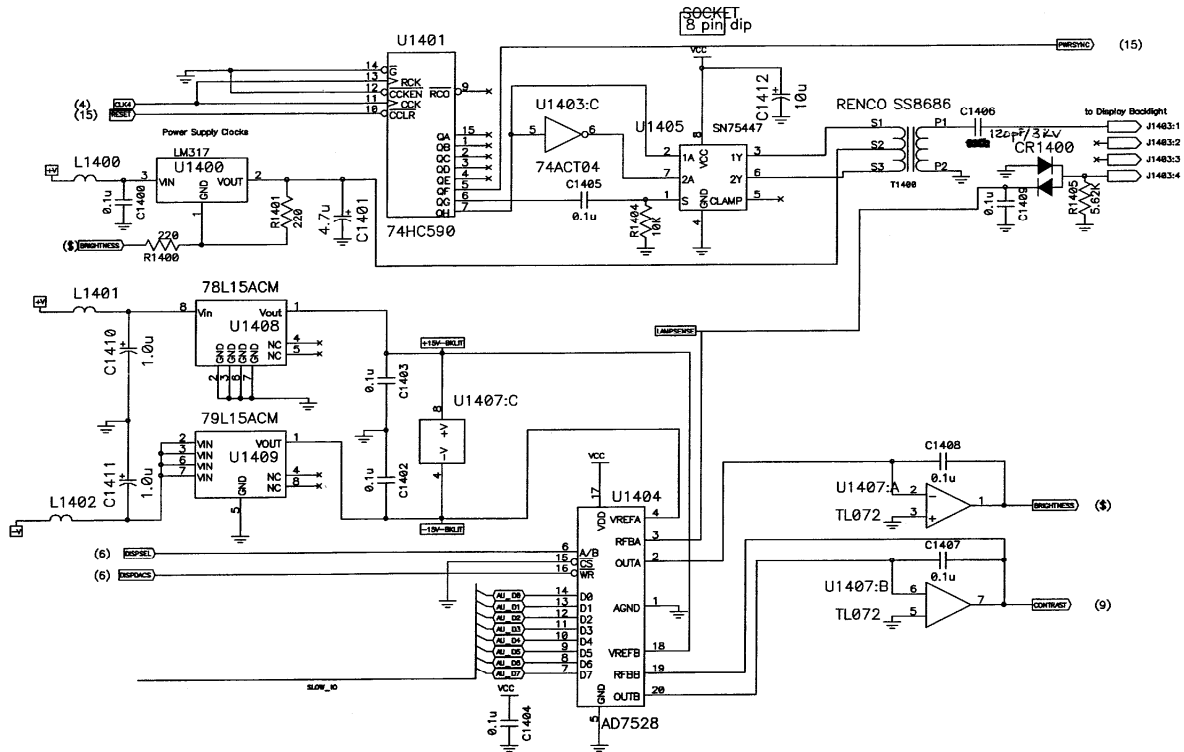


# Component Replacement for the Orville Backlight

The Orville backlight driver circuitry has some unusual components, and is sufficiently analog that a field repair is sometimes feasible. Symptoms of backlight problems include insufficient illumination of the display, no illumination, or "stuck" illumination in the sense that either the brightness or contrast (or both) cannot be adjusted.

Note that we do not recommend non-factory repair of this section beyond replacement of socketed components. If you nonetheless desire to work on it, below is a schematic excerpt and information on special components. Note that **there is HIGH VOLTAGE PRESENT** in this circuitry when the product is powered. Only technicians with HV experience and who take appropriate precautions should even consider working on it!

## Schematic



## Components:

You can order the following components from Eventide. Please note our minimum order policy of \$25, plus shipping.

Description	Eventide Part Number	Price
U1400 LM317 IC	216018	\$1.25
U1401 74HC590 IC	206534-01	\$1.25
U1405 SN75447 IC (in socket)	208022	\$2.00
U 1404 AD7528 IC	214009	\$11.25
C1406 Capacitor - 120pf 3kV	402209	\$1.50
T1400 Transformer	423043	\$17.00